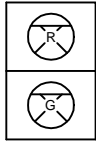
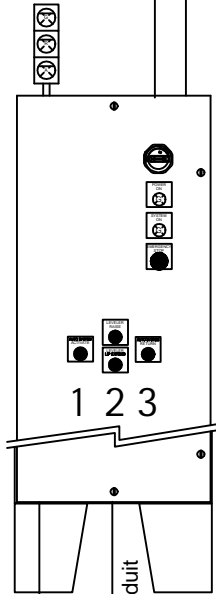


Air Inflatable Dock Shelter
 120 VAC Unit - 3 (Qty) #12
 460 VAC Unit - 4 (Qty) #12



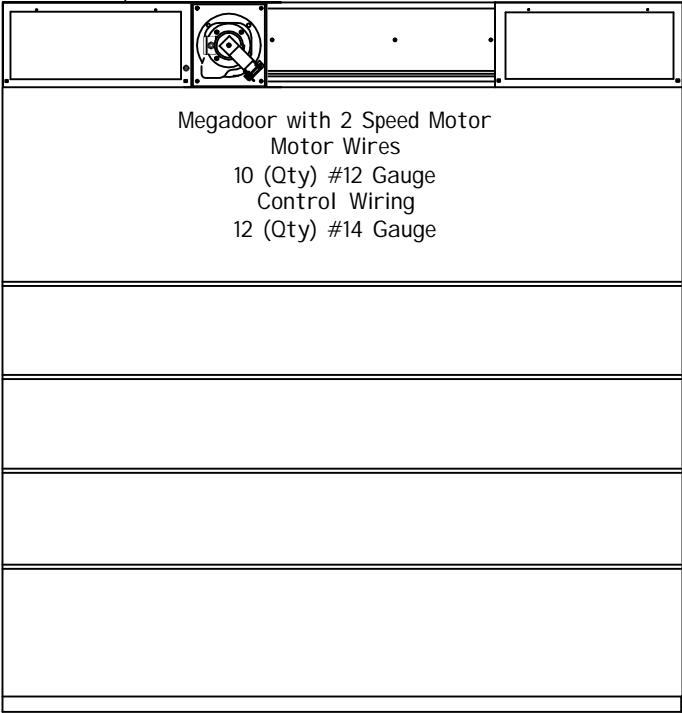
Exterior Traffic Signal
 for Vehicle Restraint
 3 (Qty) #14 Gauge

Outside Traffic Light and Inflatable Shelter Conduit



Inside Conduit

Gas Fired Door Heater
 Motor Wires
 4 (Qty) #12 Gauge
 Control Wires (Varies per Manufacturer)
 8 to 12 (Qty) #14 Gauge

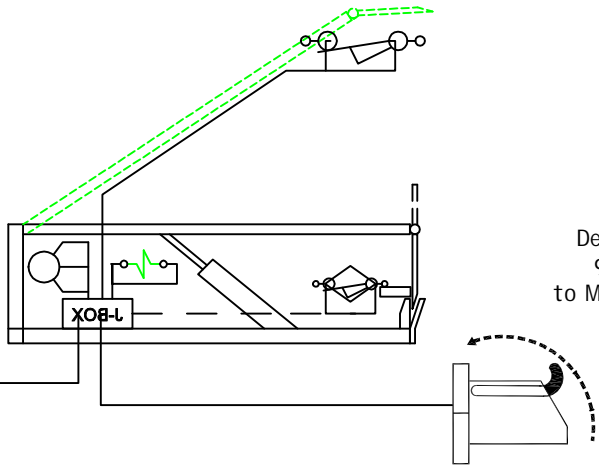


Megadoor with 2 Speed Motor
 Motor Wires
 10 (Qty) #12 Gauge
 Control Wiring
 12 (Qty) #14 Gauge

Dock Leveler Pit and Restraint Conduit

Dock Levelers
 Standard Hydraulic Unit
 Motor Wires
 4 (Qty) #12
 Control Wires
 6 (Qty) #14

Serco Versa-Dock
 Motor Wires
 7 (Qty) #12
 Control Wires
 12 (Qty) #14



Vehicle Restraint
 Depending on Manufacturer
 9 to 14 (Qty) #14 gauge
 to Manufacturers Terminal Box

STC **SHROKMAN**
 TECHNOLOGIES COMPANY
 5780 TEREX
 CLARKSTON, MI 48346
 PHONE: 248-620-5500 FAX: 248-620-5511

| | | |
|--|---------------|--------------------|
| TITLE General Wire Counts - Dock Systems Door, Gas Fired Heater, Leveler Restraint, Air Shelter | | |
| DR: | SCALE: none | DRAWING NO: |
| CK: | DATE: 9/22/99 | Combo Panel Risers |
| P FILE: | SHT: 1 OF 1 | VIEW: General |