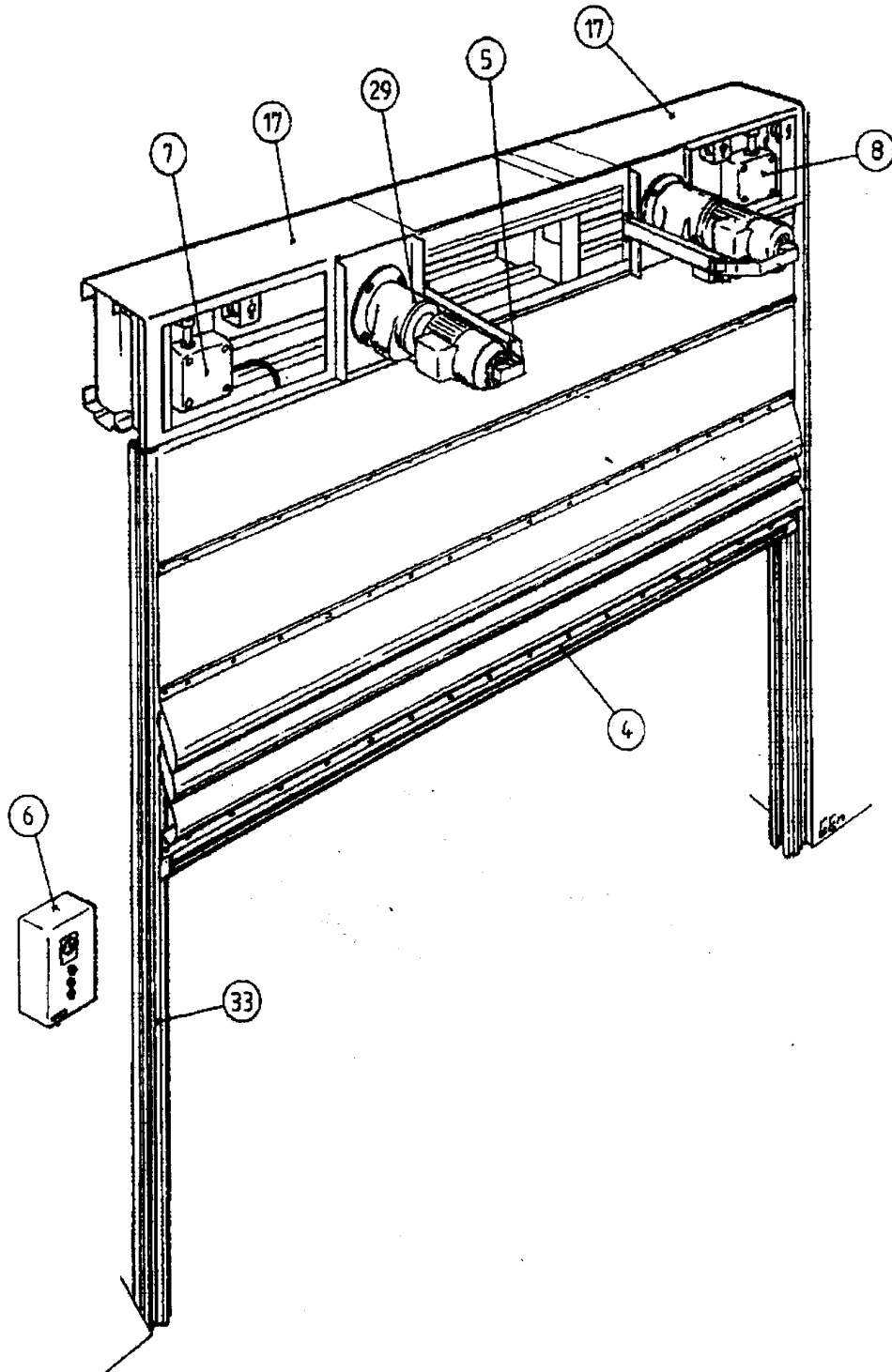


MEGADOOR
SYSTEM 1000
DUAL MOTOR PARTS LIST

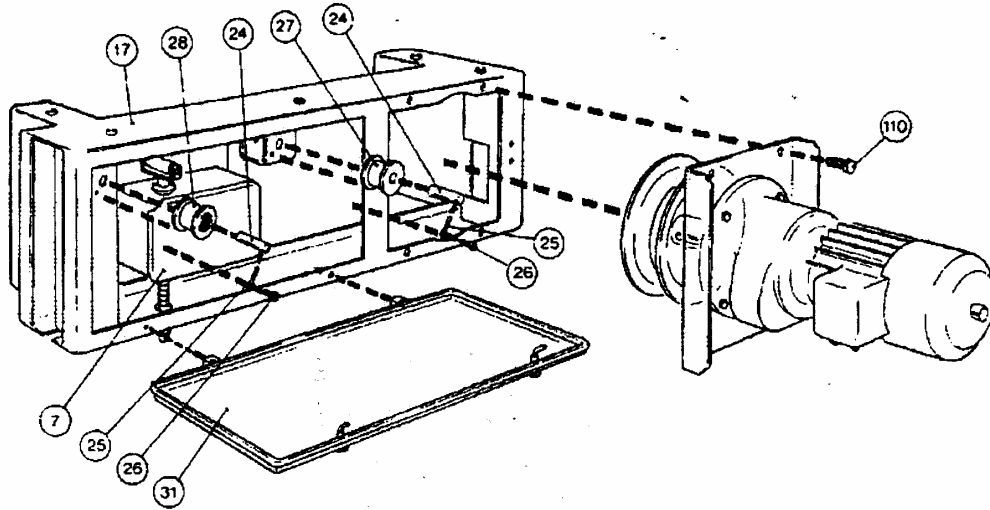
General Layout	2
MOTOR BOX	3
RIGHT HAND BOX	4
Power Unit.....	5
Hand Crank Interlocking	6
Limit Switch Box Left.....	7
Limit Switch Box Right	8
Top and Intermediate Profile With Guide Rail	9
Drop Protection and Bottom Beam	10
Component List.....	11

General Layout



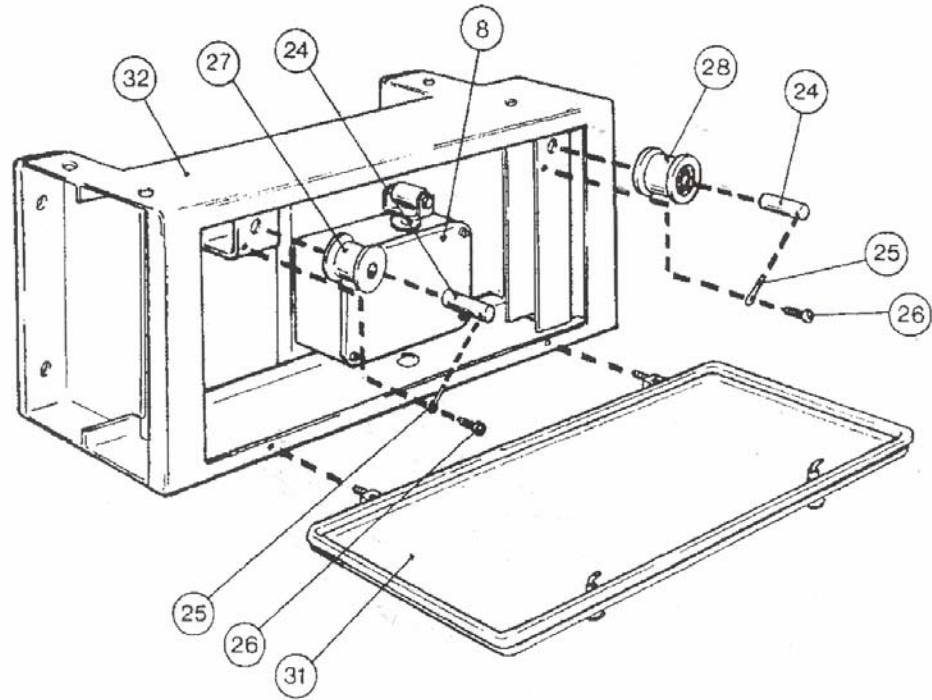
MOTOR BOX

LEFT SIDE SHOWN, RIGHT SIDE A MIRROR IMAGE

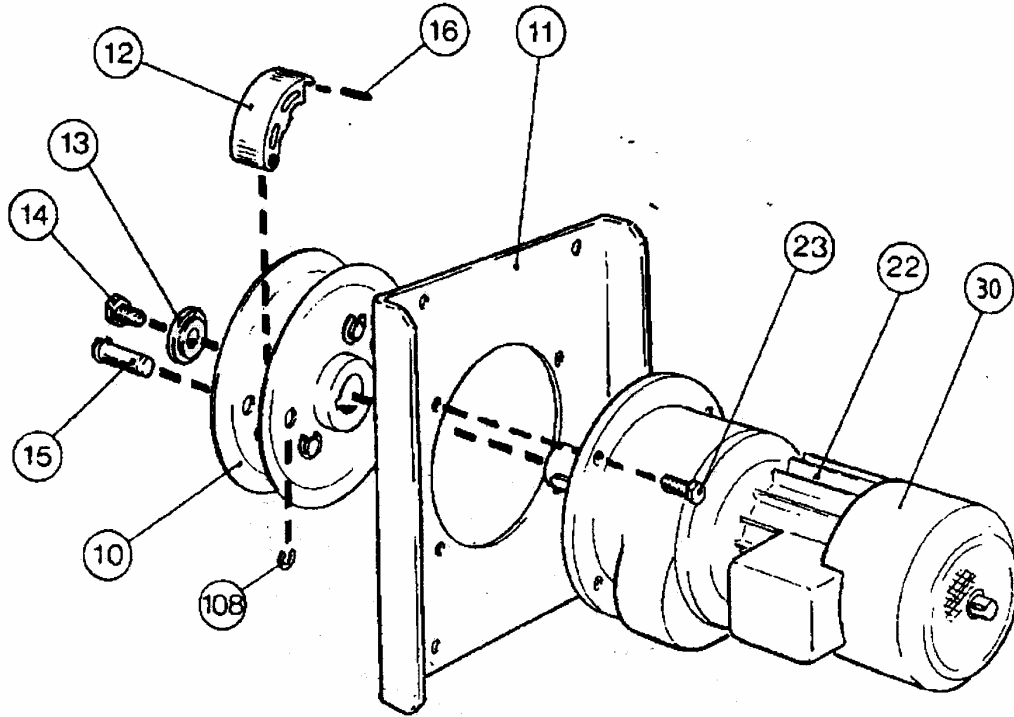


RIGHT HAND BOX

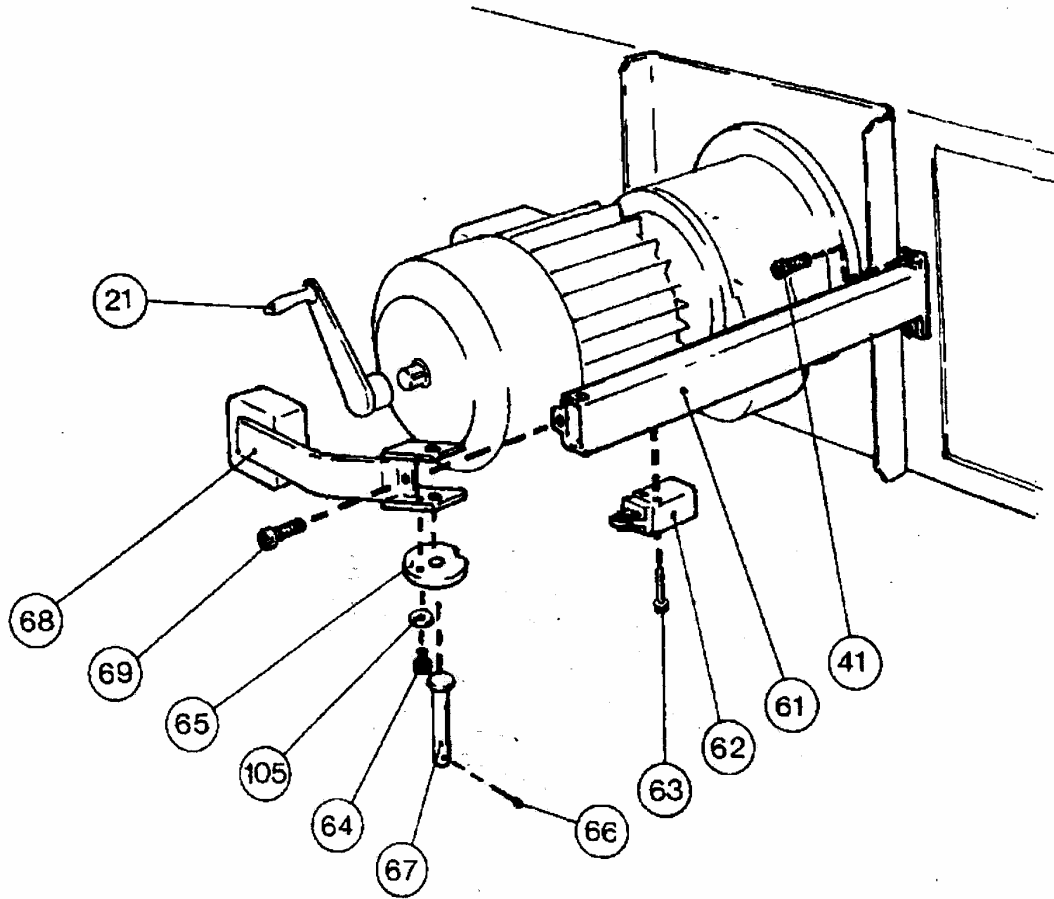
Motor is NOT shown



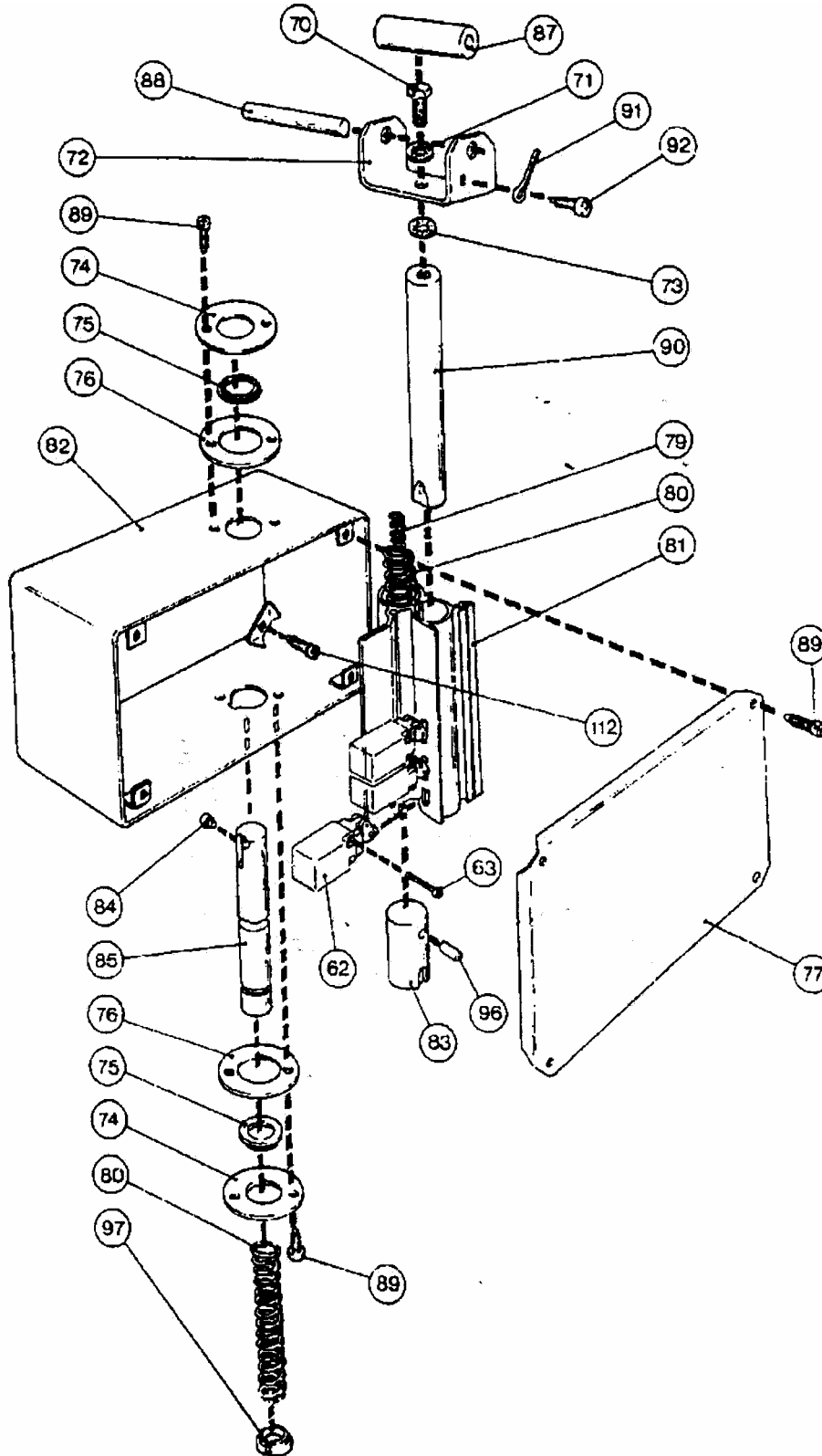
Power Unit



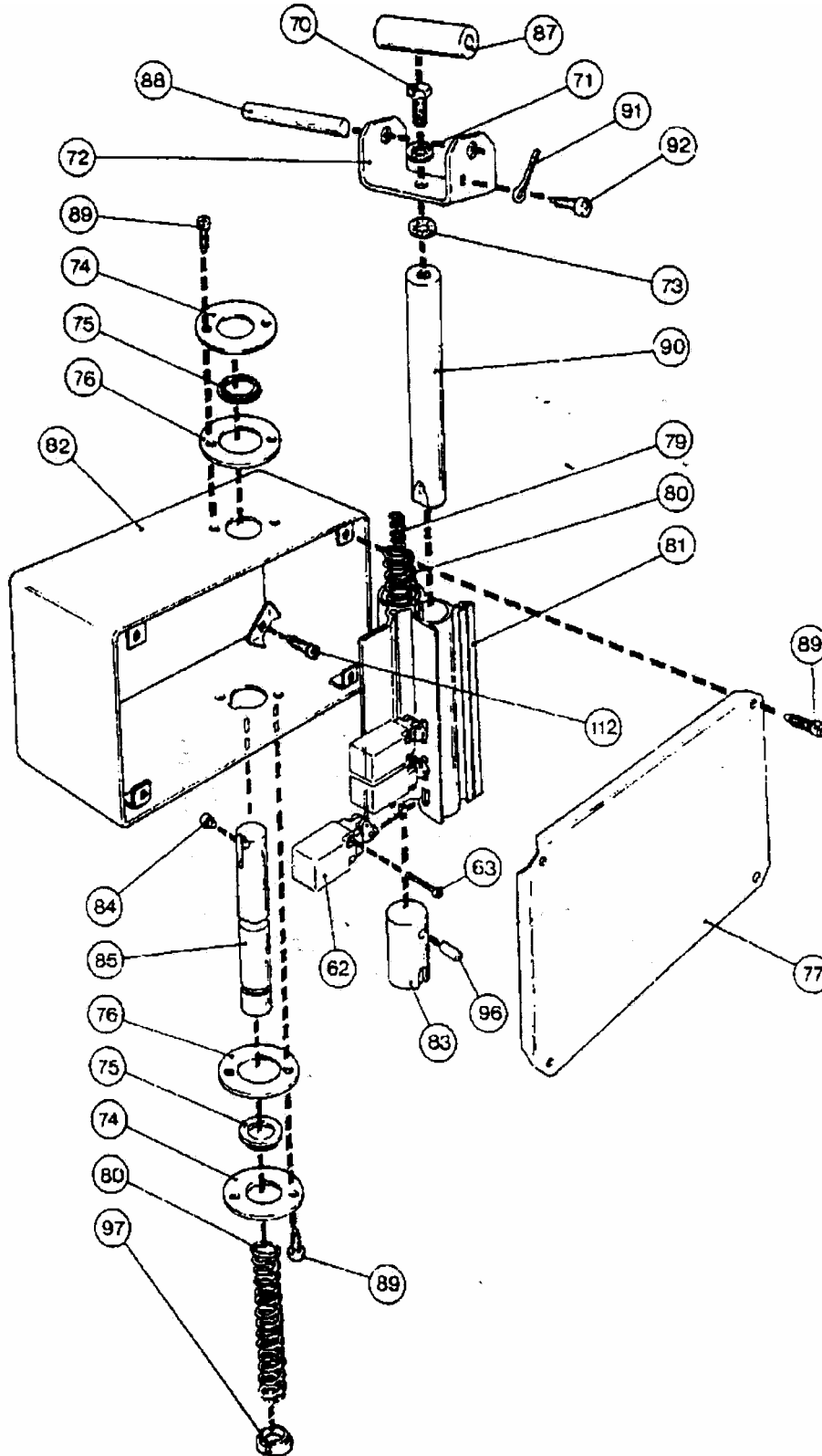
Hand Crank Interlocking



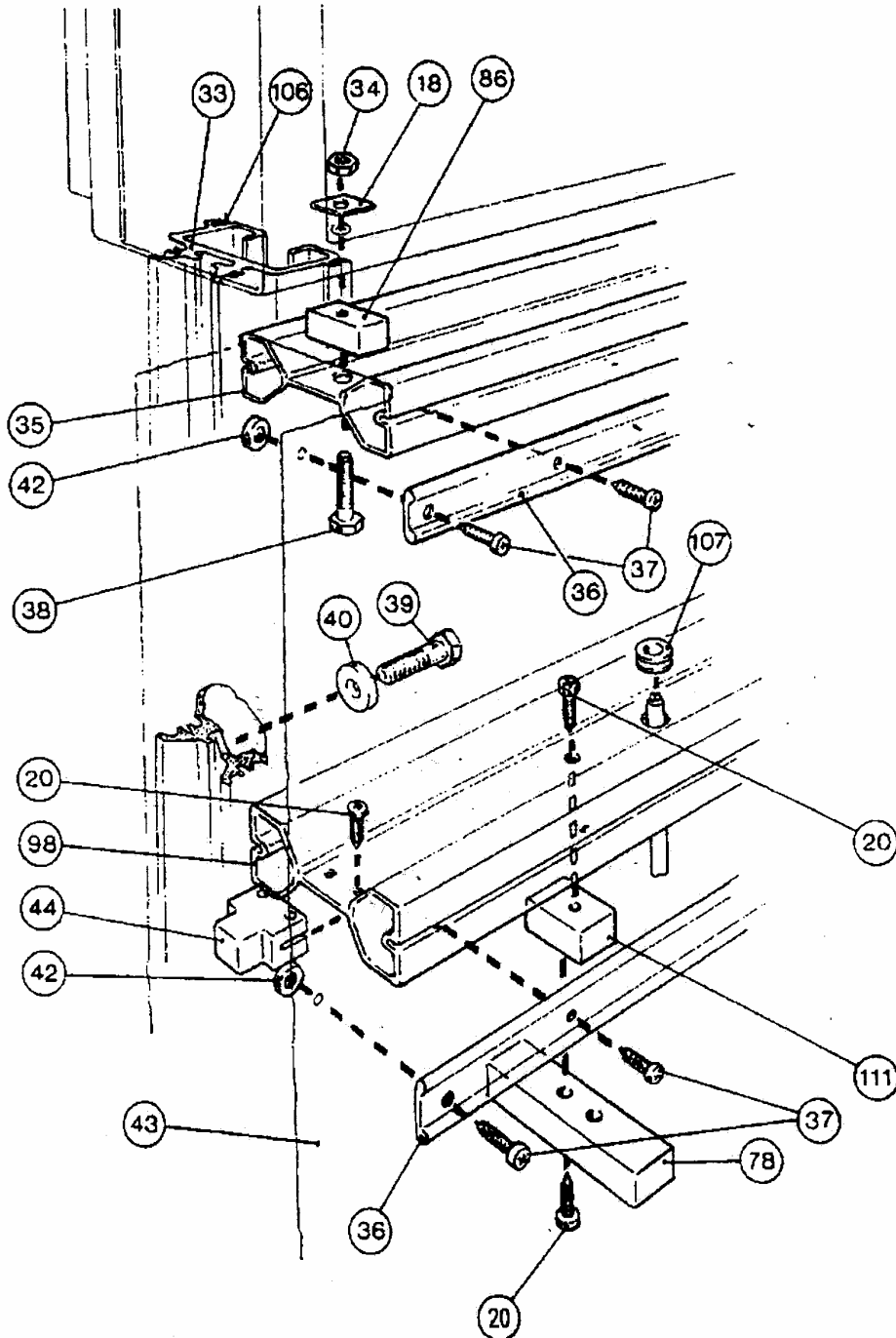
Limit Switch Box Left



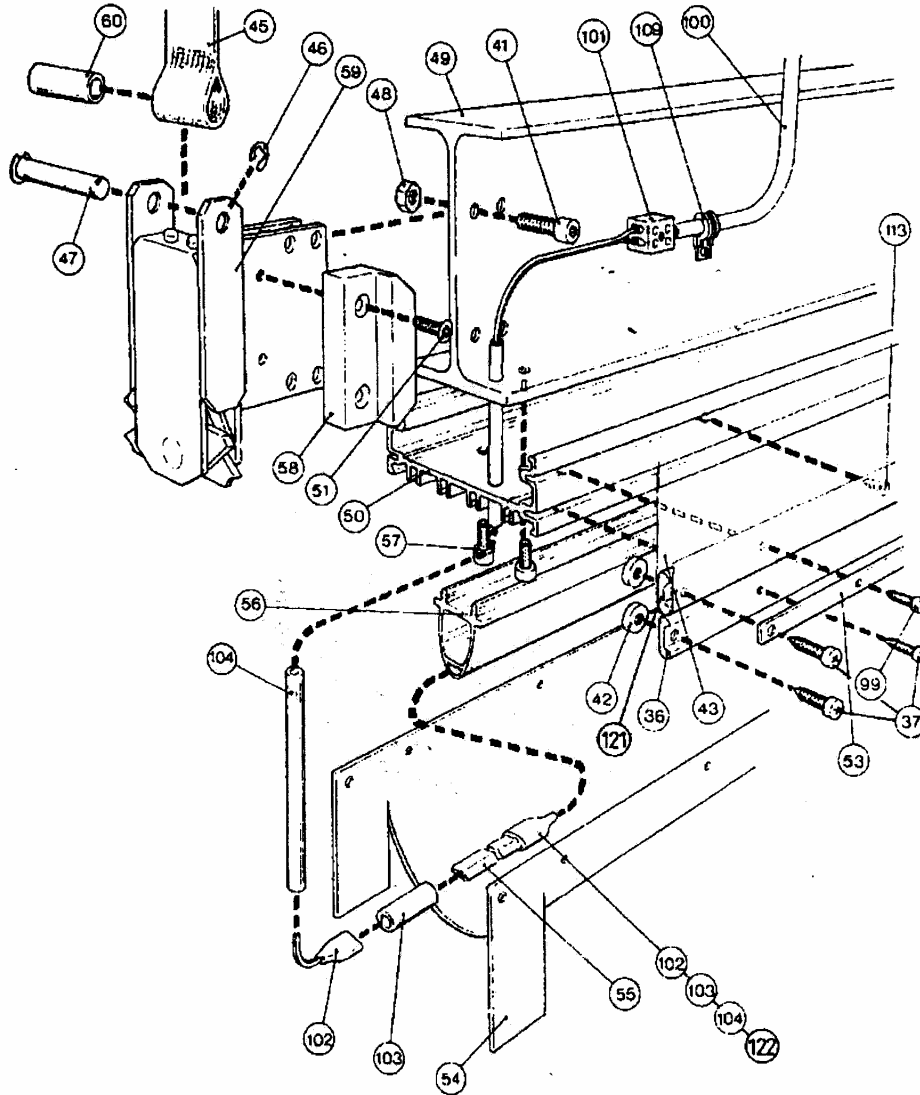
Limit Switch Box Right



Top and Intermediate Profile With Guide Rail



Drop Protection and Bottom Beam



Component List

Component List S-1000

<u>Item #</u>	<u>Description</u>	<u>Megadoor Part #</u>	<u>Manual Page #</u>
<u>Door Assembly</u>			
7	Limit Box-Left	19101194	5-1
17	Motor Box	19101551	5-1
29	Gear Motor	Call for Information	5-1
5	Crank Arm Disconnect	19101104	5-1
32	Pulley Box	19101612	5-1
8	Limit Box-Right	19101115	5-1
33	Guide Rail	29101006	5-1
4	Bottom Beam-Tube	19101631	5-1
6	Control Panel	Call for Information	5-1
4	Bottom Beam- I-Beam	19101073	5-1
<u>Door Assembly-2-Motoe Assembly</u>			
7	Limit Box-Left	19101194	5-1
17	Motor Box	19101551	5-1
29	Gear Motor	Call for Information	5-1
5	Crank Arm Disconnect	19101104	5-1
8	Limit Box-Right	19101115	5-1
33	Guide Rail	29101006	5-1
4	Bottom Beam-Tube	19101631	5-1
6	Control Panel	Call for Information	5-1
4	Bottom Beam- I-Beam	19101073	5-1
<u>Motor Box</u>			
31	Hatch	19101025	5-3
26	Screw M6x16 TT	19200236	5-3
25	Split Pin 8x63 fzb	19201569	5-3
7	Limit Box-Left	19101114	5-3
17	Frame	19101552	5-3
28	Belt Roller W/Bearing	19101106	5-3
24	Shaft-Bell Roller	19101021	5-3
27	Belt Roller W/Bearing	19101106	5-3
110	Screw M12x30	19200303	5-3
<u>Directional Pulley Box</u>			
32	Roller Bracket	19101555	5-4
27	Belt Roller W/Bearing	19101106	5-4
28	Belt Roller W/Bearing	19101106	5-4

Advanced Systems Inc. Tennessee Office
 George A. Shrokman, Jr.
 615-826-5559

<u>Item #</u>	<u>Description</u>	<u>Megadoor Part #</u>	<u>Manual Page #</u>
24	Shaft- Belt Roller	19101021	5-4
26	Screw M6x16 TT	19200236	5-4
25	Split Pin 8x63 fzb	19201569	5-4
8	Limit Box – Right	19101115	5-4
31	Hatch	19101025	5-4

Top And Intermediate Profile With Side Guide

33	Guide Rail	29101006	5-5
106	Seal	Obsolete	5-5
34	M10 Nut	19200225	5-5
18	Washer 30x45x12.5	19100885	5-5
86	Top Profile Support	19101054	5-5
36	#2 Clamp Strip	19100953	5-5
37	Screw 4.8x13 RTS	19200242	5-5
107	Rubber Grommet	19200501	5-5
20	Screw 4.8x16 RTS	19200320	5-5
111	Intermediate Beam Support	19101075	5-5
78	Spacer Block	19101055	5-5
43	Protan Door Fabric	Call for #	5-5
44	Guide Block-Intermediate	19101018	5-5
98	Intermediate	Call for #	5-5
39	Screw M10 x 50 TT	19200347	5-5
38	Screw M 10 x 80h	19200300	5-5
34	M12 Nut	19200225	5-5
40	Washer 13x36	Obsolete	5-5
35	Top Beam-100 Profile	Call for #	5-5

Drop Protection And Bottom Profile

60	Sleeve	19101012	5-6
45	Lifting Belt	Call for price	5-6
46	RS12 C-Clip	19200416	5-6
59	Safety Arrestor	19101014	5-6
48	M10 Nylon Lock Nut	19200219	5-6
49	10" x 6" x 1/4" Tube	19200703	5-6
41	Screw M10 x 30		5-6
101	Terminal Block 3 Pole	29200161	5-6
101	Terminal Block 2 Pole	19200161	5-6
109	Cable Clamp	19200123	5-6
100	Reversing Edge 'Olflex' Wire	29991547	5-6
113	Screw 4.8 x 13 RTS	19200242	5-6
99	Screw 4.8 x 16 RTS	19200320	5-6
37	Screw 4.8 x 13 KFTS	19200257	5-6
53	#1 Clamp Strip	19100952	5-6

Advanced Systems Inc. Tennessee Office

George A. Shrokman, Jr.

615-826-5559

Item #	Description	Megadoor Part #	Manual Page #
43	Protan Fabric	Call for #	5-6
121	#3 Clamp Strip	19100954	5-6
36	#2 Clamp Strip	19100953	5-6
42	Protective Stud	19100902	5-6
104	Shrink Tube	19201145	5-6
102	Tapeswitch Assembly	Obsolete	5-6
103	Tapeswitch Assembly	Obsolete	5-6
122	Tapeswitch Assembly	Obsolete	5-6
55	Tapeswitch	19200127	5-6
54	Rubber Floor Seal	19101109	5-6
56	Rubber Extrusion	19100907	5-6
57	Screw M6 x 16 TT	19200452	5-6
50	Attachment Profile	19101072	5-6
51	Screw M6x20 MF6S A4	19201417	5-6
58	Guide Block-Safety Arrestor	19101013	5-6
47	Shaft-Safety Arrestor	19101125	5-6

Crank Interlocking

41	Screw M 8 x 20	19200283	5-8
61	Sleeve	19101012	5-8
62	Limit Switch	19200110	5-8
63	Screw 4.2 x 32	19200258	5-8
105	Washer 5 x 19 NB	19200204	5-8
64	Screw 5 x 16 TT MRT	19200263	5-8
65	Cam	19100828	5-8
66	Obsolete	N/A	5-8
67	Screw M8 x 90	19201478	5-8
68	Angle	19100941	5-8
69	Obsolete	N/A	5-8
21	Crank Handle	19101585	5-8

Limit Switch Box-Left

92	Screw M3 x 8	19200317	5-8
91	Split Pin 4 x 25	19200407	5-8
71	Washer 8.4 x 15	19200238	5-8
87	Roller	19101161	5-8
70	Screw M 8 x 25	19200282	5-8
88	Shaft	19101181	5-8
72	Roller Holder	19101751	5-8
89	Screw 4.8 x 13 RTS	19200242	5-8
74	Obsolete	N/A	5-8
75	Obsolete	N/A	5-8
76	Obsolete	N/A	5-8
82	Limit Box Casing	19101567	5-8

Advanced Systems Inc. Tennessee Office

George A. Shrokman, Jr.

615-826-5559

<u>Item #</u>	<u>Description</u>	<u>Megadoor Part #</u>	<u>Manual Page #</u>
112	Obsolete	N/A	5-8
84	Tension Pin 6 x 20	19200414	5-8
62	Limit Switch	19200110	5-8

Limit Switch Box-Right

92	Screw M 3 x 8	19200317	5-9
91	Split Pin 4 x 25	19200407	5-9
71	Washer 8.4 x 15	19200238	5-9
87	Roller	19101161	5-9
70	Screw M 8 x 25	19200282	5-9
88	Shaft	19101181	5-9
72	Roller Holder	19101751	5-9
89	Screw 4.8 x 13 RTS	19200242	5-9
74	Obsolete	N/A	5-9
75	Obsolete	N/A	5-9
76	Obsolete	N/A	5-9
82	Limit Box Casing	19101567	5-9
112	Obsolete	N/A	5-9
84	Tension Pin 6x20	19200414	5-9
62	Limit Switch	19200110	5-9